



CARTONER CVC 1600



INTRODUCTION

CARTONER CVC 1600

The CVC 1600 Intermittent Motion Cartoning Machine is designed to meet the requirements in pharmaceutical and nutraceutical industries. The cartoning machine performs carton forming, leaflet and container inserting, code and date imprinting on the flap, and the final carton closing and discharge.

The cartoning output covers most middle speed demands. Changeover adjustment is easy and flexible. The system is adaptable with accessories to run a variety of product sizes.

A compact cartoning machine which performs carton feeding, loading and flap folding.

Highly versatile and economical mechanical intermittent motion which fits into your existing packaging line in a simple way, or may be used as a monoblock for individual machine operation.

Modular design with sensors for ease of error detection and minimal downtime.

Error indicators for rapid troubleshooting.

The line connection attachment positions each bottle and inserts it into carton with precision.

UNPARALLELED FEATURES

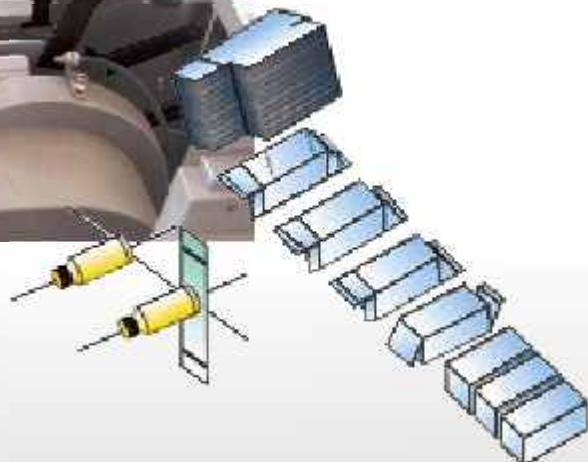
Options:

Line connection attachment.

Leaflet inserter.

Emboss alpha/numerical stamper (blind emboss onto carton flap).

Heat sealing attachment.



SPECIFICATIONS

Technical Specifications:

Carton size range: Length: 50mm - 220 mm

Width: 20mm - 100 mm

Height: 15 - 70 mm

Output: 20 - 70 cartons per min.

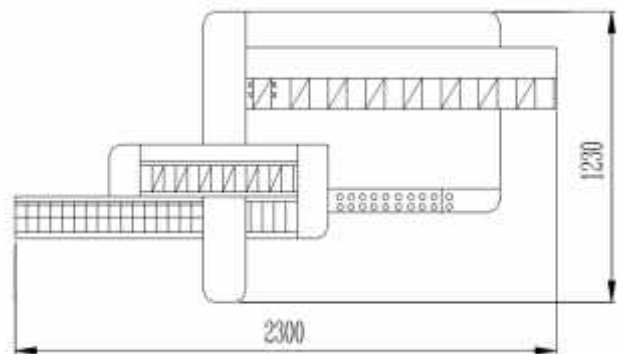
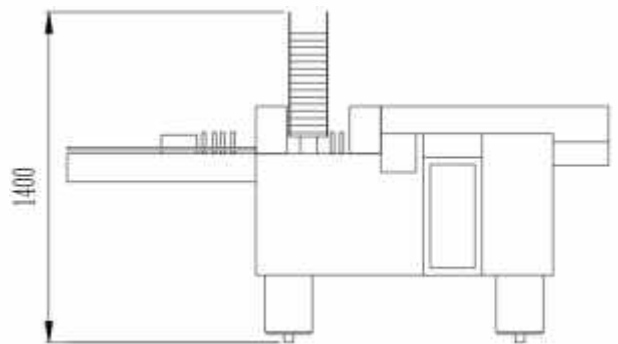
Power source: 220 V, 50/60 Hz, 1phase

Horse power: Main Drive: 1 HP

Vacuum pump: ½ HP

Compressed air pressure: 57 psi (4 Kg/cm²)

Machine dimensions: 1260 x 1230 x 1400 mm



CVC TECHNOLOGIES, INC.

10861 Business Drive, Fontana, CA 92337
Phone: (909) 355-0311 Fax: (909) 355-0411 TOLL FREE (877) 282-7333
http://www.cvcpharmapack.com E-mail: sales@cvcusa.com

CVC USA East Coast Office

2400 Main Street Extension, Suite 8, Sayreville, NJ 08872
Phone: (732) 316-5200 Fax: (732) 316-9191 TOLL FREE (877) 647-0100
E-mail: sales@cvcusa.com

CVC TECHNOLOGIES, INC. (CIS & Baltic States)

Ul. Kantemirovskaya, 58, block 7033, Moscow 115477 Russia
Phone: (495) 3250-853 Fax: (495) 2314-951
E-mail: cvc@cvctech.ru www.cvctech.ru www.cvcpharmapack.ru

CVC TECHNOLOGIES (THAILAND)

17 Soi Lardprao, 128/1, Lardprao Road, Klongchan, Bangkok, Thailand 10240
Phone: (66) 02-375-7702, (66) 02-375-7710 Fax: (66) 02-375-7240

CVC TECHNOLOGIES, INC. (TAIWAN)

ASIA / PACIFIC HEADQUARTERS
No. 361, Jen Hua Road, Ta-Li City, Taichung Hsien 412, Taiwan
Phone: (886) 04-2496-9922 (Rep.) Fax: (886) 04-2496-9933
E-mail: cvctech@ms31.hinet.net

CVC TECHNOLOGIES, INC. (INDIA)

601/602, Manmandir Suraksha, Building No.3,
Nahur Village Road, Mulund (W), Mumbai - 400 080
Phone: (022) - 2562 1242, 2562 1243 Fax: (022)-2562 1244
E-mail: cvc@cvcindia.com

PT. CVC TECHNOLOGIES INDONESIA

Jl. Pulo Sidik Kav. R.30, Kawasan Industri Pulo Gadung
Jakarta Timur 13930, Indonesia
Phone: (62) 021-4683-2555 (Rep.) Fax: (62) 021- 4683-2556
E-mail: sales@cvctech.co.id

CVC TECHNOLOGIES, INC. (CHINA)

No. 1 Building, Lane 1343, Tongpu Rd, Putuo District, Shanghai, China
Postal Code: 200062
Phone: (86) 021-5270-3030 (Rep.) Fax: (86) 021-5269-6019
E-mail: cvc-china@online.sh.cn